

NEC

# DPB6000 Series

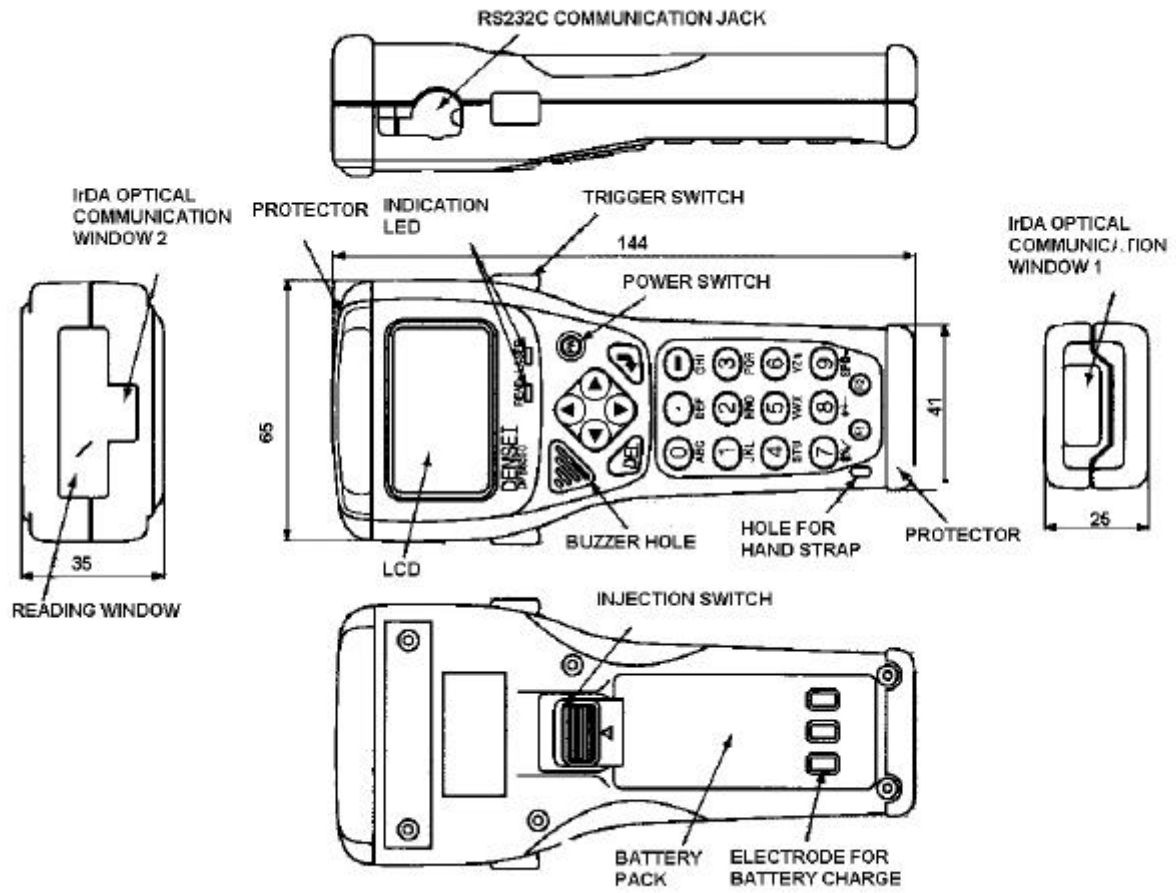
**BAR CODE PORTABLE TERMINAL**



The DPB6000 Provides high functionality and performance in a compact and light, easy to use package. Using a semiconductor laser for its scanning, reading distance is maximum 380mm and the readable size of bar code is maximum 200 mm. As for the power source, it has an exclusive use rechargeable battery pack or AAA type dry cells. Also it is using IrDA optical interface for its interface which allows to transfer data through an exclusive use communication adapter or IrDA equipments. The DPB6000 has other features such as Large LCD screen with backlit, backlit keyboard, which allows use in poorly illuminated areas. Also the strong splash proofed body allows use in collection and delivery service, or in the warehouse.

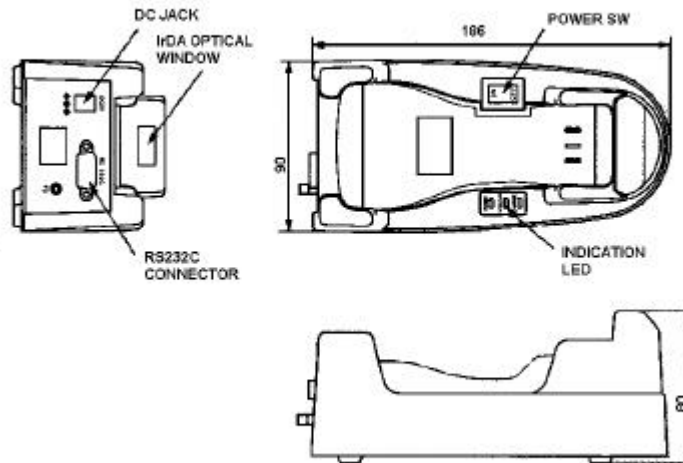
**■ SPECIFICATION**

<b>Model name</b>		<b>DPB6000</b>	
Controller	CPU		16 Bit C-MOS CPU
	Memory	FLASH	Users area: 256KB
		RAM	1MB
Barcode Reading Performance	Readable size		200mm
	Readable bar codes		JAN/EAN(8 or 13), With addendum(2 or 5 digits)
			UPC(6 or 12), With addendum(2 or 5 digits)
			CODE39, NW-7, ITF, CODE93, CODE128 2 of 5 STANDARD(Maximum Character count=50)
	PCS		0.3 or more (white reflection: more than 85%)
	Depth of field		0 ~ 380mm
	Resolution		0.15mm
	Light source		Semiconductor laser
Reading start system		Trigger switch	
Keyboard	No. of Keys		23 (Data keys and function keys)
LCD Display	Display device		LCD dot matrix (128 x 64 dots)
	No. of line and character		21 characters x 5 lines, 16 characters x 4 lines
	Display area		38.4 x 22.4mm
	Contrast function		16 levels
	Back light function		Blue (EL Back light)
Interface	RS232C	Baud rate	1200 ~ 38400bps
		Synchronization System	Asynchronous
		Communication System	Half duplex
	Optical Communication (for the communication adapter)	Baud rate	115.2kbps (max.)
		Communication System	Irda-SIR 2ports
Supplementary functions			Real time clock, calendar, Buzzer, Auto power off, Resume function, Battery voltage detection, Low Battery Message, reading confirmation LED, Key Illumination
Power	Main	Type	Ni-MH exclusive Battery Pack or AAA type dry battery.
	Battery	Hours of use	100 hours (using Alkaline battery under 23 ± 3 , reading 2 times in 10 seconds)
Supply	Back-up	Type	Secondary Lithium
	Battery	Hours of use	Around 2 months without main battery (After full charge)
Environment	Temperature		Operating: -5 ~ +50 , Storage: -20 ~ +60
	Humidity		5 ~ 95%RH (non-condensing)
Dimensions (L x W x H)			144 (L) x 41/65 (D) x 25/35 (H) mm
Weight			150g
Accessories included			2 Dry battery type, carrying strap
Application	Hard ware		IBM PC/AT or compatible
Develop tool	Programming language		C (MS-DOS based)



**OPTICAL COMMUNICATION ADAPTER**

<b>Model</b>		<b>DPA6000</b>	
<b>Power source</b>		AC adapter	
<b>Interface</b>	Optical communication (for DPB)	<b>Physical interface</b>	IrDA-SIR
		<b>Communication speed</b>	115.2kbps (max.)
	RS232C (For host Computer)	<b>Physical interface</b>	RS232C
		<b>Communication speed</b>	1200 ~ 38400bps
		<b>Communication method</b>	Half duplex
<b>Synchronous system</b>	Asynchronous		
<b>Input</b>	<b>Voltage</b>	DC12V $\pm$ 5%	
	<b>Current</b>	42Ma	
	<b>Power Consumption</b>	0.5W	
<b>Environment</b>	<b>Operating temperature</b>	0 to - 40	
	<b>Storage temperature</b>	-20 to +60	
	<b>Operating humidity</b>	5 ~ 95%RH (Non-condensing)	
	<b>Storage humidity</b>	5 ~ 95%RH (Non-condensing)	
<b>Outline</b>	<b>Dimensions</b>	90 (W) x 186 (D) x 80 (H)mm	
	<b>Weight</b>	500g	



**NEC**

**NEC Infrontia Corporation**

2-3, Kandatsukasa-cho, Chiyoda-ku,  
Tokyo, 101-8532 Japan  
TEL: +81-3-5282-5845  
FAX: +81-3-5282-5945  
<http://www.necinfrontia.co.jp>

**European Partner: NEIC Import-Export GmbH**

Charlottenstraße 51 40210 Düsseldorf  
Germany  
TEL: +49-02 11-17 39 90-0  
FAX: +49-02 11-17 39 90-24  
<http://www.neic.de>

**Qualified Sales & Maintenance Partner in Europe**

**GOD BM**  
Neurott 18, 74 931 Lobbach  
GERMANY  
TEL: +49-(0)6226-9-50-50  
FAX: +49-(0)6226-9-50-540

**Synergix Peripheral Systems Limited**  
Unit 3, The Sapphire Centre  
Fishponds Road, Workingham, Berkshire RG41 2QL  
United Kingdom  
TEL: +44 (0)118-979-0992  
FAX: +44(0)118-989-2187