

**NEC**

# CCD Bar Code Scanners

## *Classic Models*



## *Economic Models*



## *Machine Mount Scanners*



NEC Infrontia Corporation

## Classic Models

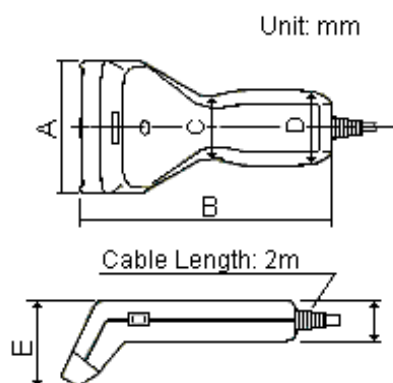
### BCH5000 SERIES / BCK5000 SERIES

#### Specifications

Series		BCH5430/BCK5436	BCH5530/BCK5536	BCH5730/BCK5736
Scan width		60mm (2.4 inch)	85mm (3.35 inch)	127mm (5.0 inch)
Output	BCH	RS232C, OCIA, Wand Emulation, Bar Image		
	BCK	Keyboard Wedge (IBM PC/AT, IBM PC/XT)		
Depth of field	BCH	20mm (0.8 in.) TYP		
	BCK	20mm (0.8 in.) TYP	10mm (0.4 in.) TYP	
Min. resolution		0.1mm (4 mils.)	0.125mm (5 mils.)	0.2mm (8 mils.)
Scan rate		80 scan/sec.		
Move Tolerance		25cm (10 in.)/sec.		13cm (5.1 in.)/sec.
Power consumption	Normal mode	+5VDC, 75mA TYP.	+5VDC, 100mA TYP.	+5VDC, 120mA TYP.
	Portable mode	+5VDC, 10mA max.	+5VDC, 10mA max.	+5VDC, 10mA max.
Power consumption	Normal mode	+5VDC, 80mA TYP.	+5VDC, 110mA TYP.	+5VDC, 130mA TYP.
	Portable mode	+5VDC, 1.2mA TYP.		
Weight		120g (4.2oz)	150g (5.3oz)	220g (7.8oz)

#### Outside View

Model	Size	A	B	C	D	E
BCH5430/BCK5436		64	161	42	50	54
BCH5530/BCK5536		90	186	40	52	58.5
BCH5730/BCK5736		132	219	48	52	89



## Economic Models

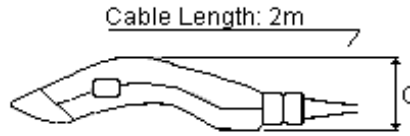
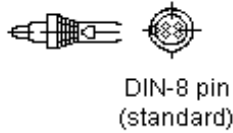
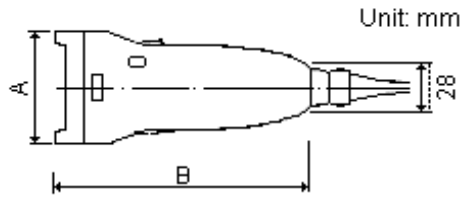
### BCH5X9X SERIES

#### Specifications

Series	BCH5499	BCH5599	BCH5494	BCH5594
Scan width	65mm (2.5 in.)	85mm (3.3 in.)	65mm (2.5 in.)	85mm (3.3 in.)
Interface	RS232C, Wand emulation and Keyboard wedge Selectable by a bar code menu except wedge		USB Interface (Transfer speed: Low speed) OS to be Windows 98, 2000	
Min. resolution	0.15mm (6 mils.)			
Depth of field	15mm TYP:(UPC/EAN standard label x 1, PCS:0.9)		0-10mm(UPC/EAN standard label x 1, PCS:0.9)	
Scan rate	80 scan/sec.			
Move Tolerance	17cm (6.6 in.)/sec. at any angle of incidence			
Power consumption	+5VDC, 60mA TYP.	+5VDC, 80mA TYP.	+5VDC, 60mA TYP.	+5VDC, 80mA TYP.
Standby current (sw portable mode)	1.5mA TYP. (for RS232C and Wand emulation)			
Connector	DIN 8-pin (standard)		USB connector	
Accessories	Y cable (DIN5 pin or mini DIN6 pin) or adapter cable with mini DIN6 pin			
Weight	135g	170g	135g	170g

Outside View

Size	A	B	C
BCH54XX	60	156	44
BCH55XX	74	156	44



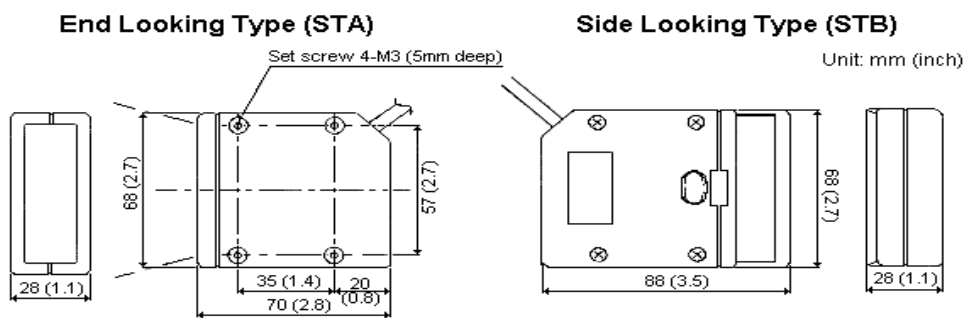
Machine Mount Scanners

BCR5242 SERIES

Specifications

Model	BCR5242-STA	BCR5242-STB
Scan width	80mm (3.1 in.) wide symbol at principal focal point	
Output	RS232C	
Min. resolution	0.15mm (6 mils.)	
Number of digit	1 to 32 (an even number only for Interleaved 2 of 5)	
Depth of field	35mm±10mm	15mm±10mm
	(1.4±0.4 in.)	(0.6±0.4 in.)
Scan rate	120 scans/sec.	
Power consumption	130mA TYP. at 5VDC±5%	
Weight (without cable)	120g (4.2oz.)	140g (4.9oz.)

Outside View



**BCR5342H SERIES**

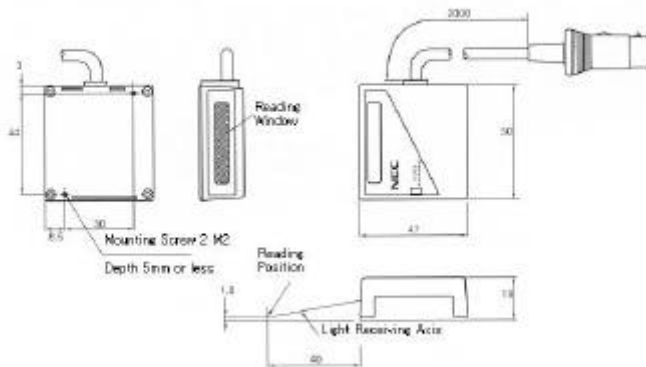
**Specifications**

Model	BCR5342H-STZ	BCR5342H-STY
Reading window position	End looking	Side looking
Scan width	60mm (2.4in.) for NBW = 0.125mm (5mils) 80mm (3.1 in.) for NBW = 0.15mm (6mils)	
Output	RS232C (decoder is built into scanner)	
Min. resolution NBW 1	0.125mm (5 mils.)	
Number of digit	1 to 32 (an even number only for Interleaved 2 of 5)	
Depth of field	35mm±3mm (1.4 ± 0.1in): NBW=0.125mm	
	40mm ± 10mm (1.4 ± 0.4in): NBW=0.15mm	
Scan rate	500 scans/sec.	
Power consumption	130mA TYP., 180mA max.	
Standard cable	2m(6.6ft) straight 1	
Standard connector	DIN 8pin 2	
Weight (without cable)	60g (2.1oz)	

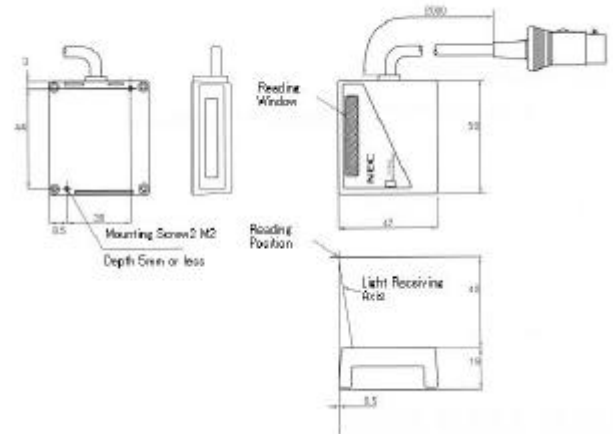
Note: 1 Coiled cable is also available by quotation. 2 Others by quotation.

**Outside View**

BCR5342H-STZ



BCR5342H-STY



## Family Products

### PORTABLE TERMINALS DPB5100 SERIES (CCD) DPB5500 SERIES (Laser)



### MACHINE MOUNT LASER SCANNERS BCR2600 SERIES



### MACHINE MOUNT LASER SCANNERS BCR2660 SERIES



# NEC

## NEC Infrontia Corporation

2-3, Kandatsukasa-cho, Chiyoda-ku,  
Tokyo, 101-8532 Japan  
TEL: +81-3-5282-5845  
FAX: +81-3-5282-5945  
<http://www.necinfrontia.co.jp>

**European Partner: NEIC Import-Export GmbH**

Charlottenstraße 51 40210 Düsseldorf  
Germany  
TEL: +49-02 11-17 39 90-0  
FAX: +49-02 11-17 39 90-24  
<http://www.neic.de>

**Qualified Sales & Maintenance Partner in Europe**

**GOD BM**  
Neurott 18, 74 931 Lobbach  
GERMANY  
TEL: +49-(0)6226-9-50-50  
FAX: +49-(0)6226-9-50-540

**Synergix Peripheral Systems Limited**  
Unit 3, The Sapphire Centre  
Fishponds Road, Workingham, Berkshire RG41 2QL  
United Kingdom  
TEL: +44 (0)118-979-0992  
FAX: +44(0)118-989-2187